



VISTA





VISTA FLOOR GUIDED

Continuous wall interconnected by hidden hinges, with its weight suspended and guided by the floor track.



VISTA OPERABLE WALL

Suspended independent twin suspension, without floor track. Manual floor lock/latch system.



VISTA SLIDING DOOR

Sliding door with light and thin structure. Great solution for small spaces.



VISTA PIVOTING WALL

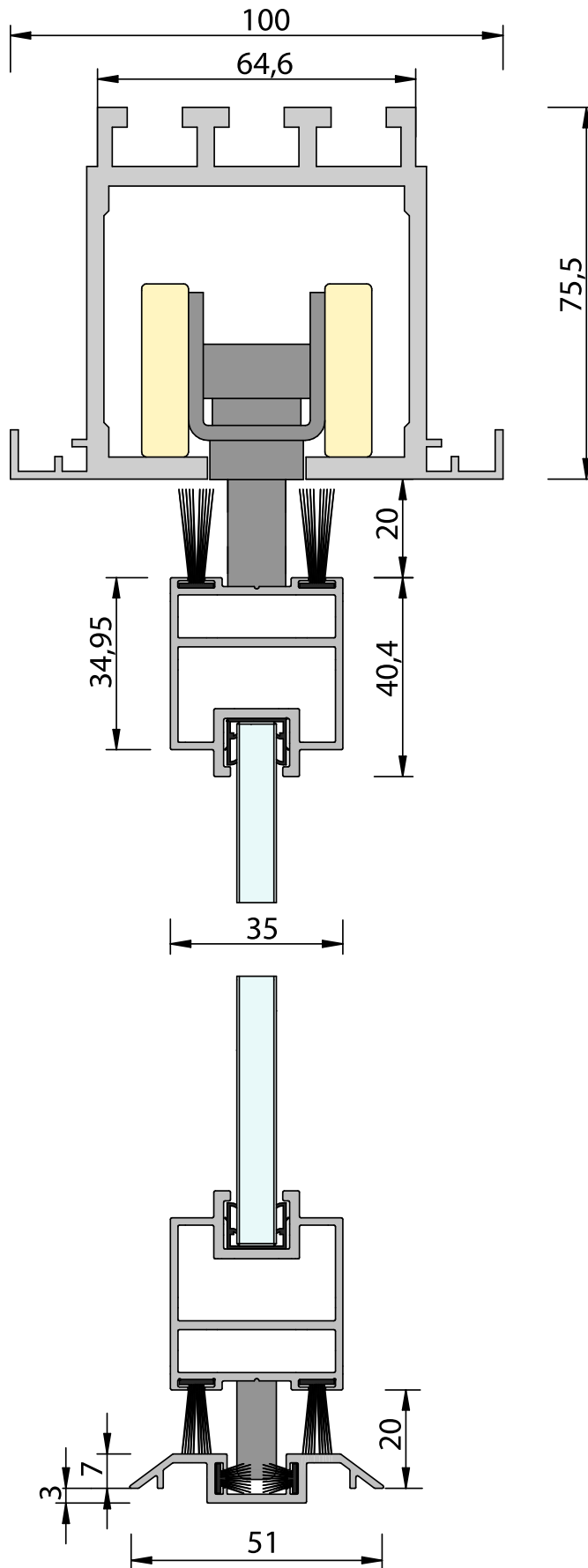
Suspended independent single suspension, without floor track. Manual floor lock/latch system.



VISTA FLOOR GUIDED

Characterized by their lightness and fine structure, VISTA FLOOR GUIDED panels are guided by two rails (floor & ceiling) when opening and closing the wall. All the panels are interconnected and have a single suspension point that slides through the upper rail.





Technical Information

Dimensions

Thickness (mm)	35
Height (mm)	40

Construction

Finishes	8 or 10 mm glass
Connecting elements	Aluminum profiles

Operation

Manual

Acoustic Rating dB (RW)	≈ 35
Density kg/m ²	25 (8mm) - 30 (10mm)
Maximum Wall Height (mm)	3000
Maximum Panel Width (mm)	500-1200
Panel Construction / Frame	Aluminum
Maximum Opening Width	Adjustable

Key-Points

Suspended weight by the pivot and guided by the lower rail

Floor locking system

Port included in the system

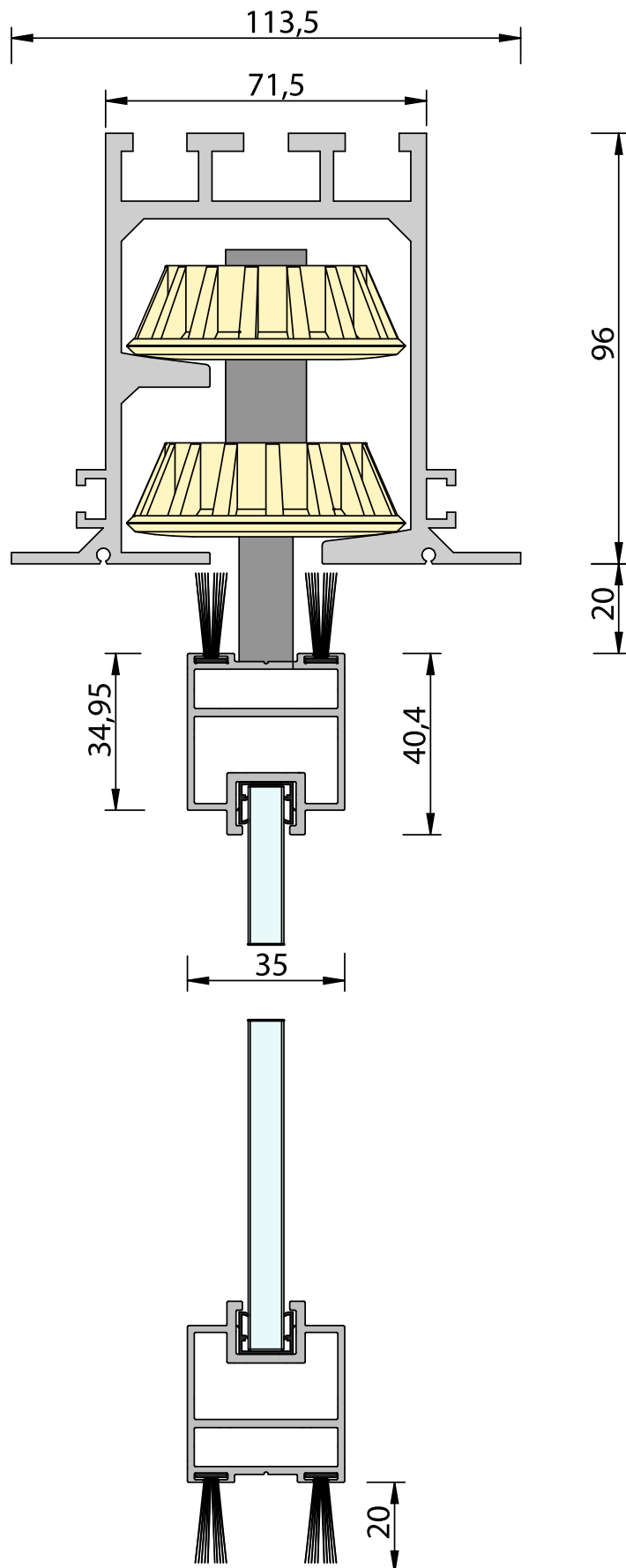
Hidden hinges



VISTA OPERABLE WALL

VISTA OPERABLE WALL is characterized by having independent panels with twin suspension. With no floor track, the panels are oriented by the upper rail. For opening and closing the wall, there is also a manual latch system by panel which only requires a small “cup” on the floor. The lightness and fine structure, eases its mobility.





Technical Information

Dimensions

Thickness (mm)	35
Height (mm)	40

Construction

Finishes	8 or 10 mm glass
Connecting elements	Aluminum profiles

Operation

Manual

Acoustic Rating dB (RW)	≈ 35
Density kg/m ²	25 (8mm) - 30 (10mm)
Maximum Wall Height (mm)	3000
Maximum Panel Width (mm)	500-1200
Panel Construction / Frame	Aluminum
Maximum Opening Width	Adjustable

Key-Points

Independent panels can form different layouts and stacking types

Floor locking system

Quick opening

System includes pass door

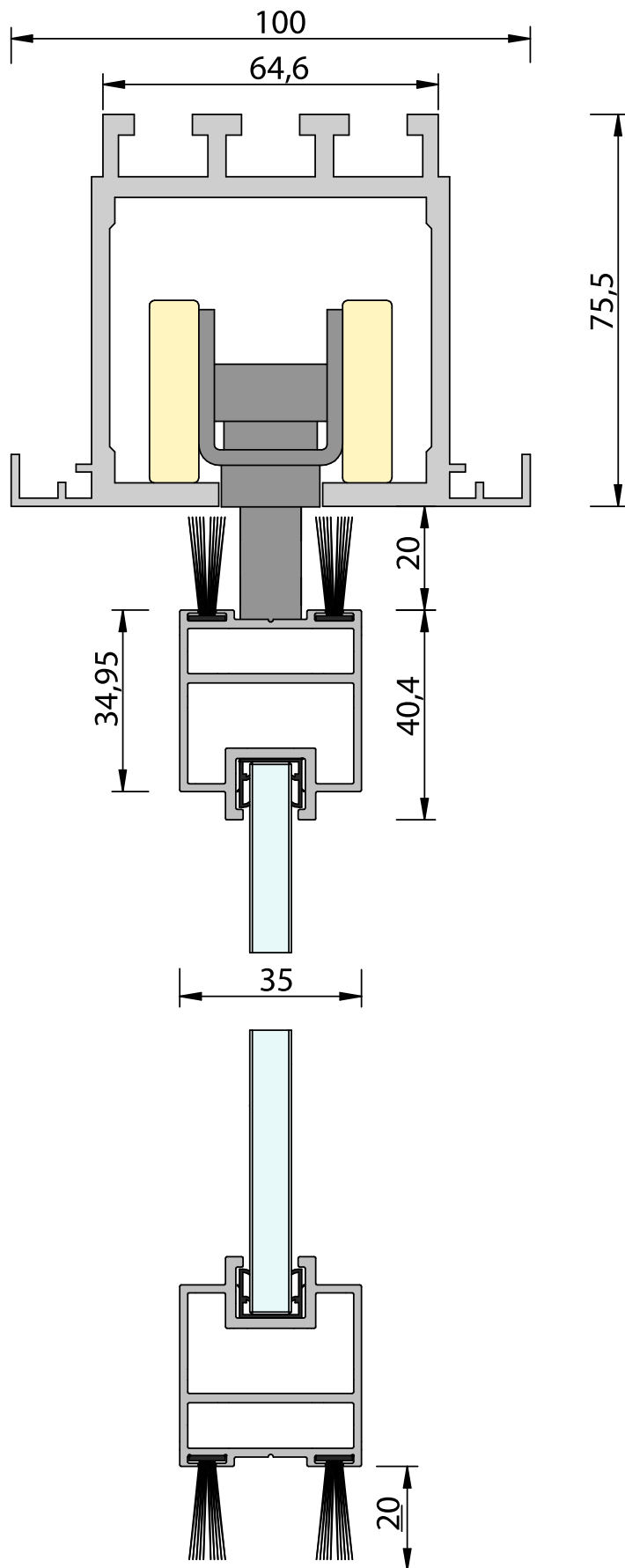
Hidden hinges



VISTA SLIDING
DOOR

VISTA SLIDING DOOR comes with all the benefits of moveable wall panels, but incorporated in a door. Great aesthetic and functional solution for greater privacy





Technical Information

Dimensions

Thickness (mm)	35
Height (mm)	40

Construction

Finishes	8 or 10 mm glass
Connecting elements	Aluminum profiles

Operation

Manual

Acoustic Rating dB (RW)	≈ 35
Density kg/m ²	25 (8mm) - 30 (10mm)
Maximum Wall Height (mm)	3000
Maximum Panel Width (mm)	500-1200
Panel Construction / Frame	Aluminum
Maximum Opening Width	Adjustable

Key-Points

Sliding door with reduced thickness

Weight supported by the bottom rail

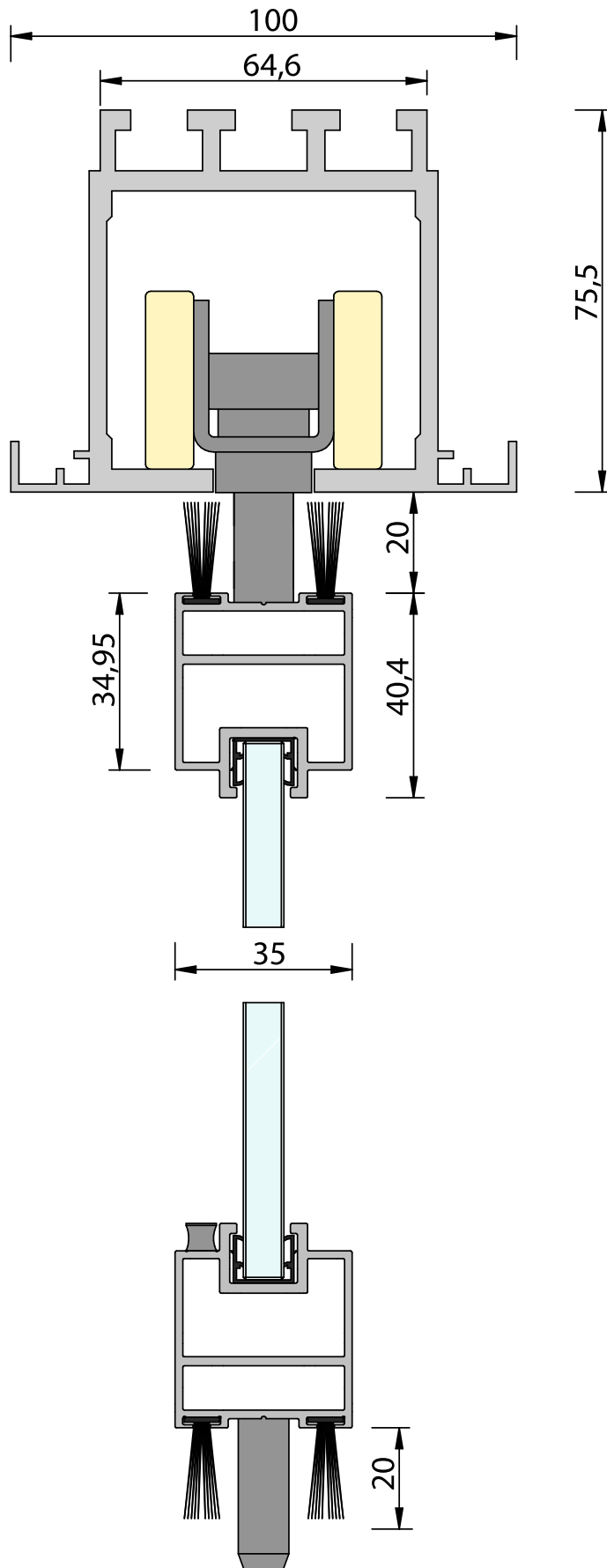
High aesthetic level



VISTA PIVOTING WALL

VISTA PIVOTING WALL is characterized by having single suspension point panels, thus allowing greater adaptability to the space when opened. The panels are oriented and supported by the upper rail, with no need for a floor track. They also have a manual panel latch system in which only a small “cup” on the floor is required.





Technical Information

Dimensions

Thickness (mm)	35
Height (mm)	40

Construction

Finishes	8 or 10 mm glass
Connecting elements	Aluminum profiles

Operation

Manual

Acoustic Rating dB (RW)	≈ 35
Density kg/m ²	25 (8mm) - 30 (10mm)
Maximum Wall Height (mm)	3000
Maximum Panel Width (mm)	500-1200
Panel Construction / Frame	Aluminum
Maximum Opening Width	Adjustable

Key-Points

Independent panels

Panels parking

Centre folding

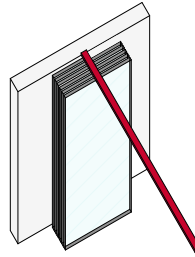
Pivoting wall with reduced thickness

High aesthetic level

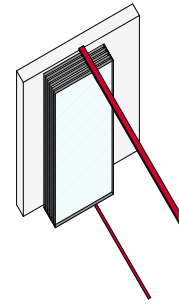
Stacking Systems

VISTA - Floor Guided

Ceiling Track	Monodirectional
Floor Track	Yes



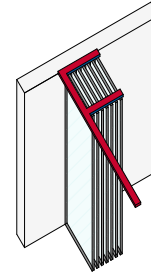
Centre Folding



Side Folding

VISTA - Operable Wall

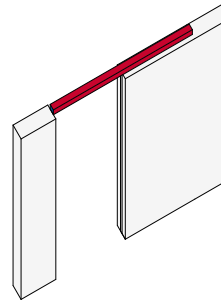
Ceiling Track	Multidirectional
Floor Track	No



Twin Suspension

VISTA - Sliding Door

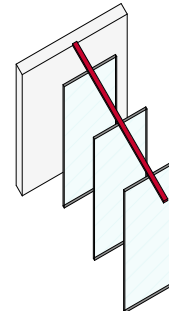
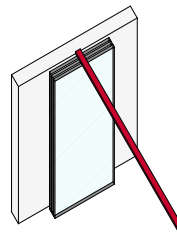
Ceiling Track	Monodirectional
Floor Track	No



Twin Suspension

VISTA - Pivoting Wall

Ceiling Track	Monodirectional
Floor Track	No



Single Suspension

Technical Details



Vista Door

VISTA walls may include a single / double door or, ultimately, a hinged door. The single door is the closure of a continuity of the system and can be double if two walls are in the middle, adding the possibility of having a fixed door on the opposite side of the system starting.



Floor Track

The floor track facilitates the opening and closing of the partition. It is a discreet piece and prepared to be adapted to the floor, with or without finishing.



Hidden Hinges

VISTA hinges are hidden. Thus, when the wall is closed, there is no element that contradicts the continuity of the wall. It is one of the highlighted aesthetic points in the development of the wall.



Floor Locking System

VISTA wall can work suspended on a rail fixed to the ceiling, running free at the bottom with no need for floor guidance. To open and close the partition, a discreet manual locking system was created.

Finishes

Glass

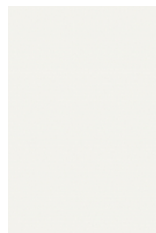


(8 or 10 mm)

Lacquering

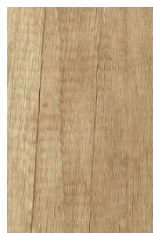


RAL 9005 - JET BLACK



RAL 9010 - PURE WHITE

Special Lacquering



NATURAL NEBRASKA OAK

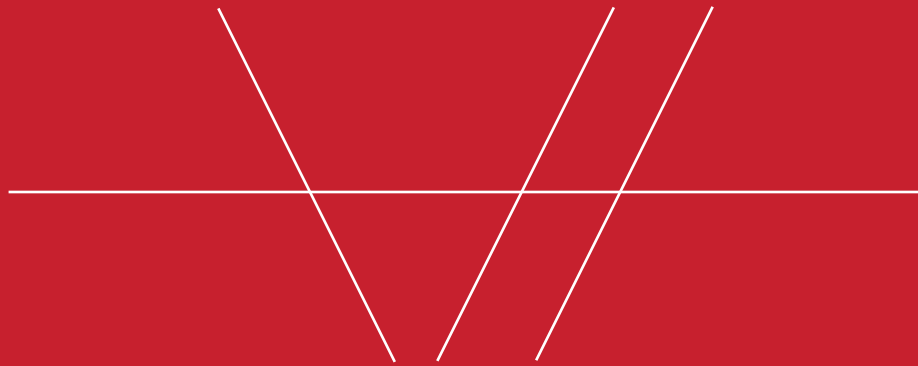


NATURAL DIJON WALNUT

Note: Other profile finishes under demand.







moval
systems

PO Box No: 25422
Global Business Centre 2,
C Ring Road, Doha, Qatar
Mob: +974 3036 1560
Tel: +974 4402 3014
Email: sales@movalsystems.com
www.movalsystems.com